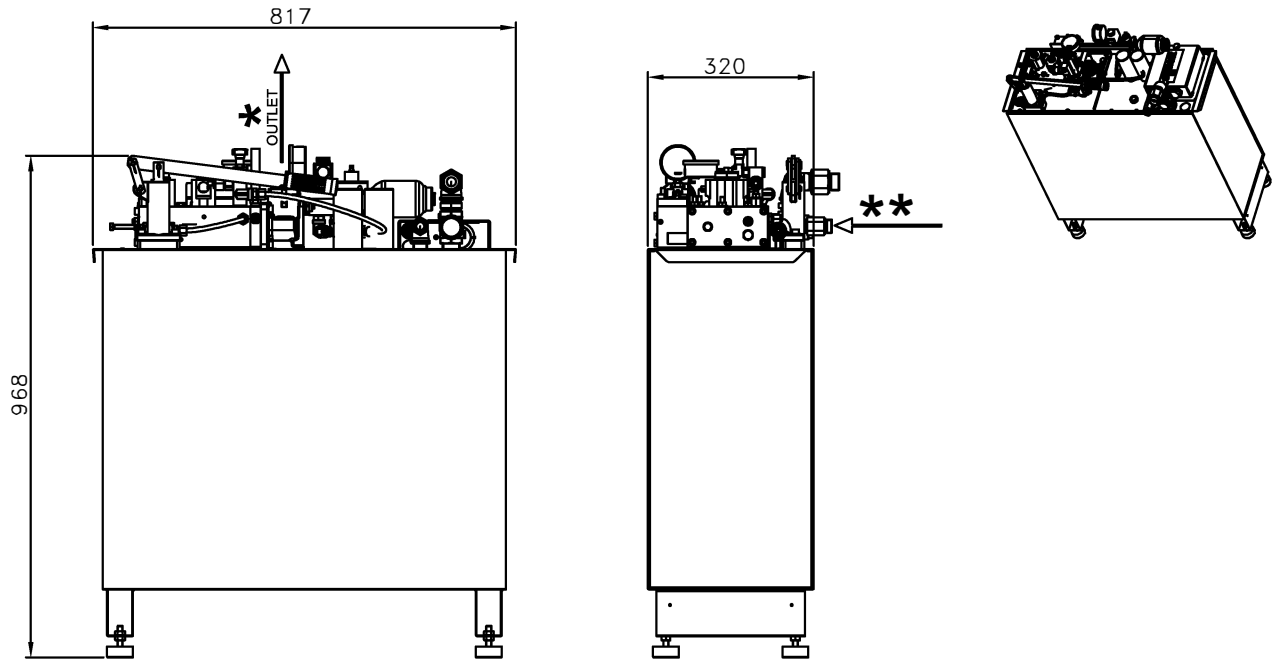


THREE-PHASE MOTOR: From 2.7 up to 20 CV (2 / 15 kW)
 230 V-400 V-415 V ; (50/60 HZ)
MONO-PHASE MOTOR: From 2 up to 8 CV (1.5 / 6 kW)
PUMP: From 18 up to 150 L/min.
PRESSURE: From 12 up to 45 BAR

OIL QUANTITY	
MINIMUM LEVEL	50 litres
USEFUL OIL	85 litres
TOTAL OIL	135 litres
POWER UNIT WEIGHT WITHOUT OIL	125 KG

NOTE:

- DISTRIBUTOR: 15-150 L/1'
- REF TABLE # 9017, TO CHOOSE PUMP AND POWER MOTOR
- OUTLET (*) WITH FLEX-PIPE 1" (M36x2)
- OUTLET (*) WITH FLEX-PIPE 1"1/4 (M45x2)
- AUXILIARY TANK AGAINST POWER UNIT OIL SPILLS: SEE TAB. 9291
- CABINET ARRANGEMENT: SEE CAP.16
- HEAT EXCHANGER ARRANGEMENT (** OPTIONAL)

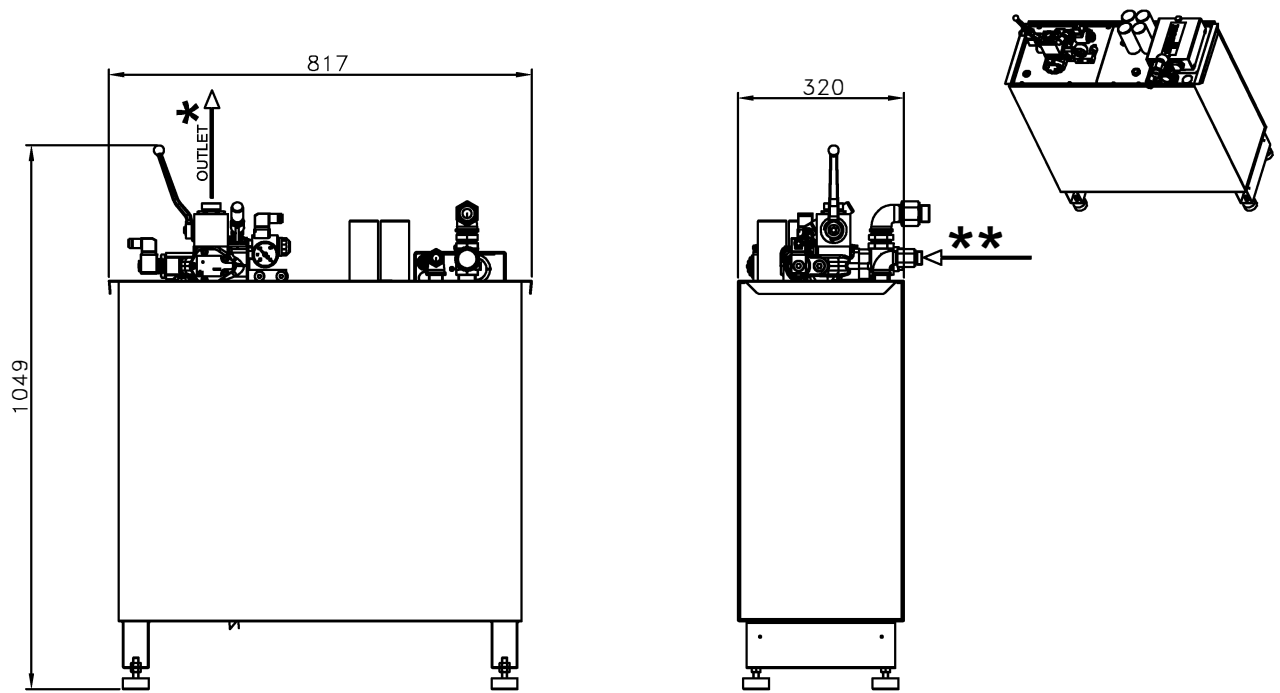


THREE-PHASE MOTOR: From 2.7 up to 20 CV (2 / 15 kW)
 230 V-400 V-415 V ; (50/60 HZ)
MONO-PHASE MOTOR: From 2 up to 8 CV (1.5 / 6 kW)
PUMP: From 18 up to 150 L/min.
PRESSURE: From 12 up to 45 BAR

OIL QUANTITY	
MINIMUM LEVEL	50 litres
USEFUL OIL	85 litres
TOTAL OIL	135 litres
POWER UNIT WEIGHT WITOUT OIL	117 KG

NOTE:

- DISTRIBUTOR: 15-150 l/min.
- REF TABLE # 9017, TO CHOOSE PUMP AND POWER MOTOR
- OUTLET (*) WITH FLEX-PIPE 1" (M36x2)
- OUTLET (*) WITH FLEX-PIPE 1"1/4 (M45x2)
- AUXILIARY TANK AGAINST POWER UNIT OIL SPILLS: SEE TAB. 9291
- CABINET ARRANGEMENT: SEE CAP.16
- HEAT EXCHANGER ARRANGEMENT (** OPTIONAL)



THREE-PHASE MOTOR: From 2.7 up to 20 CV (2 / 15 kW)
230 V-400 V-415 V ; (50/60 HZ)

MONO-PHASE MOTOR: From 2 up to 8 CV (1.5 / 6 kW)

PUMP: From 30 up to 150 L/min.

PRESSURE: From 12 up to 60 BAR

OIL QUANTITY	
MINIMUM LEVEL	50 litres
USEFUL OIL	85 litres
TOTAL OIL	135 litres
POWER UNIT WEIGHT WITHOUT OIL	117 KG

NOTE:

- DISTRIBUTOR: I-VALVE 250/160
- REF TABLE # 9017, TO CHOOSE PUMP AND POWER MOTOR
- OUTLET (*) WITH FLEX-PIPE 1" (M36x2)
- OUTLET (*) WITH FLEX-PIPE 1"1/4 (M45x2)
- AUXILIARY TANK AGAINST POWER UNIT OIL SPILLS: SEE TAB. 9291
- CABINET ARRANGEMENT: SEE CAP.16
- HEAT EXCHANGER ARRANGEMENT (** OPTIONAL)